

high tech ski & snowboard tuning tools

SKI MAN





SKI MAN

high tech ski & snowboard tuning tools

research design

made
with
**HIGH
TECH**



Born in 1975, the SKI MAN trade-mark has become internationally known thanks to his high-tech and high-quality products for ski and snowboard hand tuning.

Our relationship with customers is not only based on business but on steady teamwork, which has brought us, in the course of years, to improve and widen our range of items. Testing by World Cup ski-men is an excellent chance to evaluate the effectiveness of our work. Items in this catalogue are for professionals or amateurs who want to prepare materials by themselves in order to improve their performances steadily. Quality has been and will always be the main aim of our factory.



technology quality

9001-220
9001-110

BRAVO SHARP WORLD CUP

Electric side edge sharpener for fast and professional sharpening of side edges.

Thanks to its innovative design, side edges can be prepared with considerably less effort than with conventional manual devices, even if side edges are severely damaged.



fast
professional
precise
easy



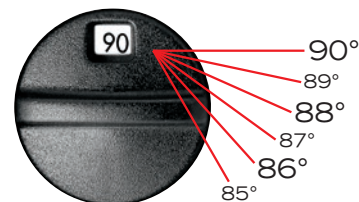
STAINLESS STEEL PLATE

Including:

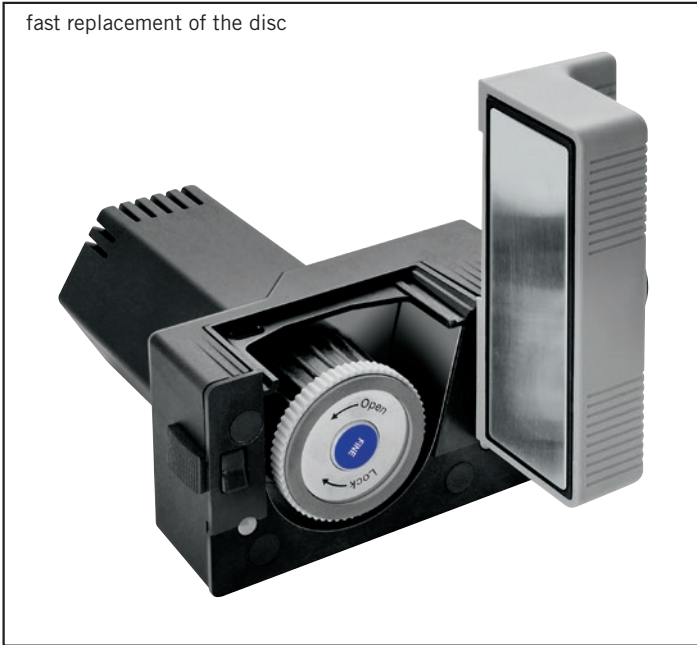
- DIAMOND DISC FINE
- DIAMOND DISC COARSE



Easy angle setting between 90° and 85°



fast replacement of the disc



packaging: plastic case



fast result with minimum effort



correct work position



9002

DIAMOND DISC COARSE

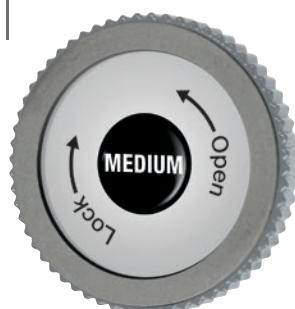
Angle set-up and deburring.



9003

DIAMOND DISC MEDIUM

General maintenance.



9004

DIAMOND DISC FINE

World Cup precise polishing.



9005

DIAMOND DISC EXTRA FINE

Super fine polishing.





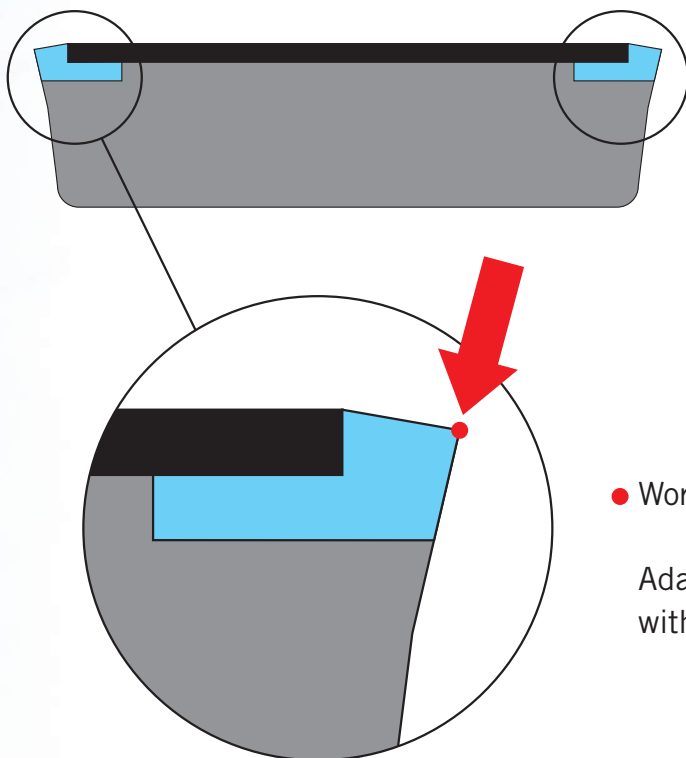
6001

SUPER SHARP CERAMIC

- Easy handling, steady grip, maximum accuracy
- «On the slope» use also
- Best results, minimum effort
- Right and left hand use
- For ski and snowboard
- Spare Ceramic (3 pcs) **6002**

WORLD
CUP

Get the same grip
of the Professional
World Cup Skiers!!



100%
USABLE

- Works only on the tip of the edge.

Adapts to all angles (side and base)
without changing them.

3007

QUICK SHARP

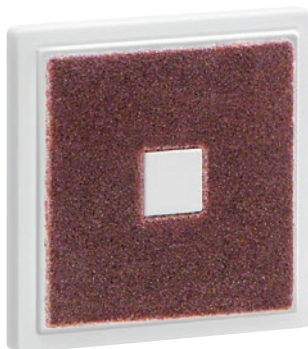
- Ergonomic side edge sharpener
- Pocket size, «on the slope» use also
- Easy handling, steady grip, maximum accuracy
- Best results, minimum effort
- Right and left hand use
- For ski and snowboard
- Spare file 40 mm **5105**



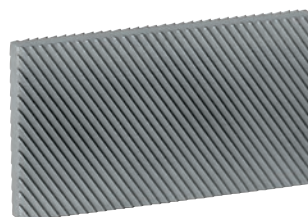
3009

QUICK SHARP KIT

- Ergonomic side edge sharpener
- Pocket size, «on the slope» use also
- Easy handling, steady grip, maximum accuracy
- Best results, minimum effort
- Right and left hand use
- For ski and snowboard



STEP 1 ZIRCONIUM:
to remove rock damaged spots and burrs before using the file.
(Spare part **5140**)



STEP 2 FILE:
to sharp and set up the side edge angle.
(Spare part **5105**)



STEP 3 DIAMOND:
to polish and super finish the ski and snowboard edges.
Best if used with water or with a polishing solution.
(Spare part **5160**)

4006N

DIAMOND SHARP

- Ergonomic side edge sharpener
- Pocket size, «on the slope» use also
- Easy handling, steady grip, maximum accuracy
- Best results, minimum effort
- Right and left hand use
- For ski and snowboard
- Spare Diamond Medium **5190**



- STEP 1** | Remove rock damaged spots and burrs.
- STEP 2** | Polish and super finish the ski and snowboard edges. Best if used with water or with a polishing solution.

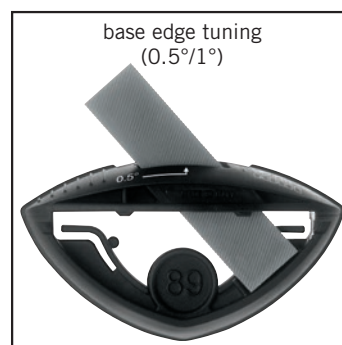
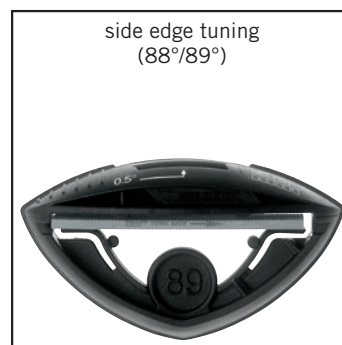


side + base tuning

4005

COMBI SHARP

- Ergonomic side and base edge sharpener
- Easy handling, steady grip, maximum accuracy
- Best results, minimum effort
- Right and left hand use
- For ski and snowboard
- Spare file 80 mm **5104**



5006

RACING SHARP

- Ergonomic side edge sharpener
- Easy handling, steady grip, maximum accuracy
- Best results, minimum effort
- Right and left hand use
- For ski and snowboard
- Spare file 80 mm **5104**

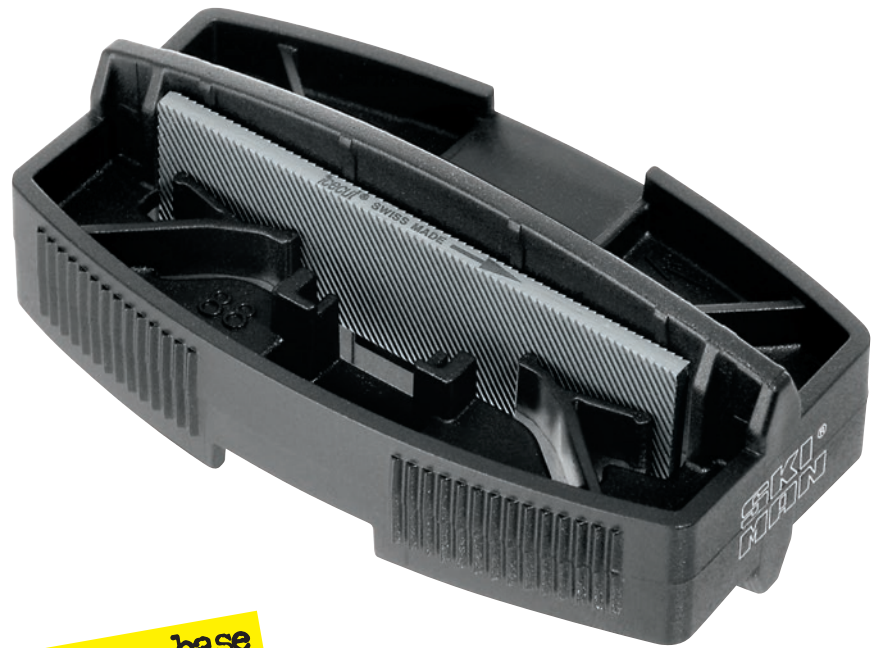
comes with High Quality **icecut** SWISS MADE 80 mm file

side edge
89°/88°
87°/86°

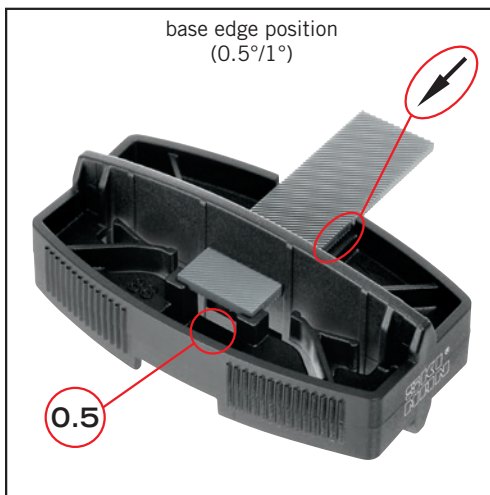
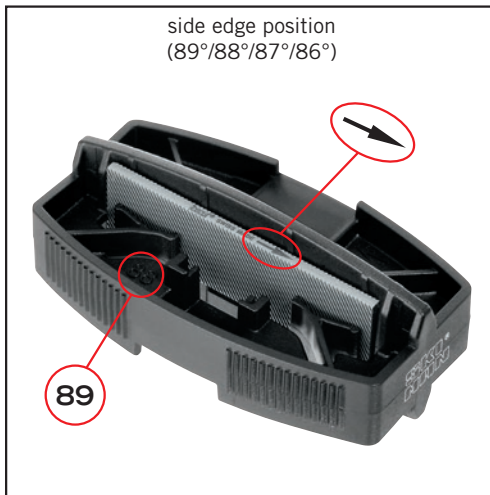
base edge
0.5°/1°

SPORT ACTIVE

RACING TEAM



side + base tuning



5007

RACING SHARP KIT

- Ergonomic side edge sharpener
- Easy handling, steady grip, maximum accuracy
- Best results, minimum effort
- Right and left hand use
- For ski and snowboard



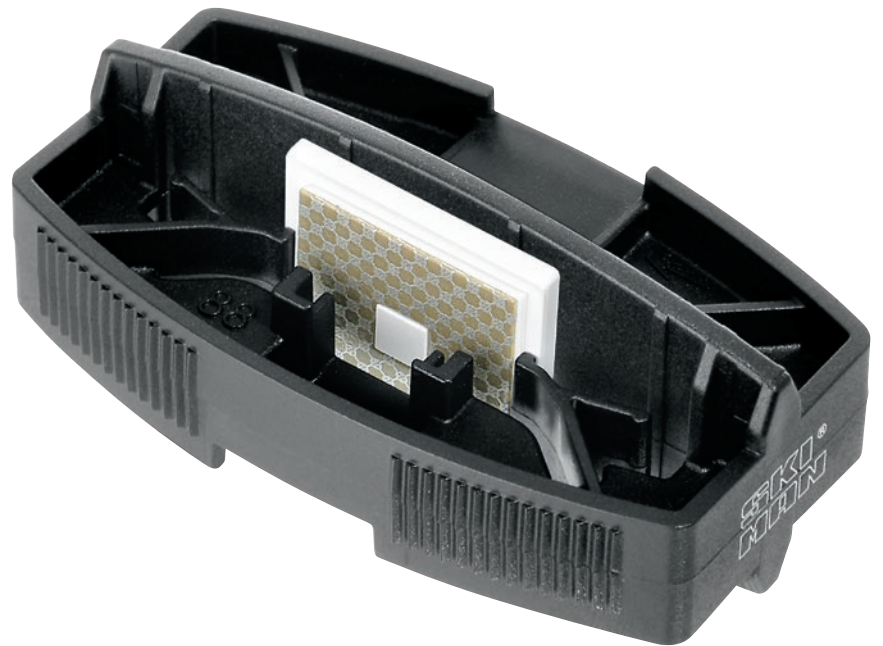
comes with High Quality **icecut** SWISS MADE 80 mm file

side edge
89°/88°
87°/86°

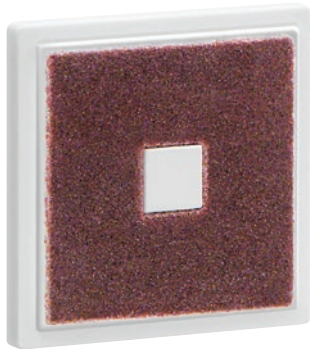
base edge
0.5°/1°

SPORT ACTIVE

RACING TEAM



side + base tuning

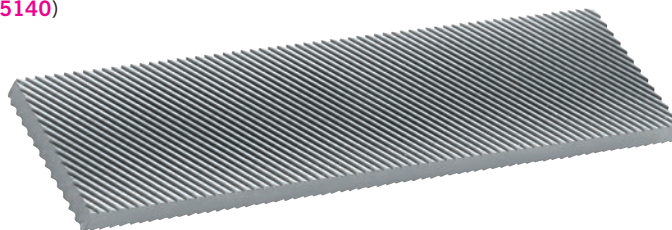


STEP 1 ZIRCONIUM:
to remove rock damaged spots and burrs before using the file.
(Spare part **5140**)

STEP 2 FILE:
to sharp and set up the side edge angle.
(Spare part **5104**)



STEP 3 DIAMOND:
to polish and super finish the ski and snowboard edges.
Best if used with water or with a polishing solution.
(Spare part **5160**)



5002

ERGO SHARP

- Ergonomic side edge sharpener
- Easy handling, steady grip, maximum accuracy
- Best results, minimum effort
- Fits any files, stones or diamonds up to 6 mm thick
- Right and left hand use
- For ski and snowboard
- Spare file 80 mm **5104**

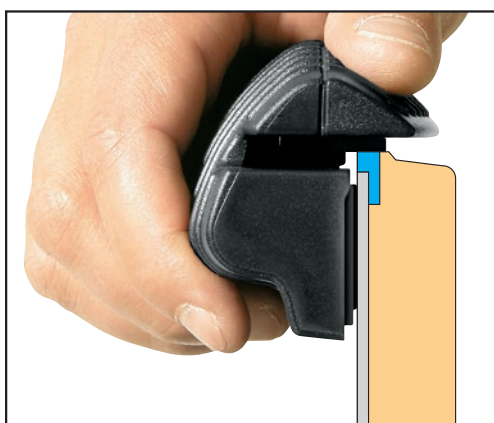


comes with High Quality **ICECUT** SWISS MADE 80 mm file

side edge **90°... 85°**

SPORT ACTIVE

RACING TEAM



5001

PRO SHARP

- Professional side edge sharpener
- Easy handling, steady grip, maximum accuracy
- Best results, minimum effort
- Fits any files, stones or diamonds up to 6 mm thick
- Ball bearing system to protect the base
- Right and left hand use
- For ski and snowboard
- Spare file 80 mm **5104**

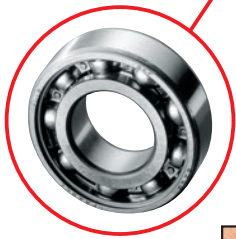


comes with High Quality **icecut** SWISS MADE 80 mm file

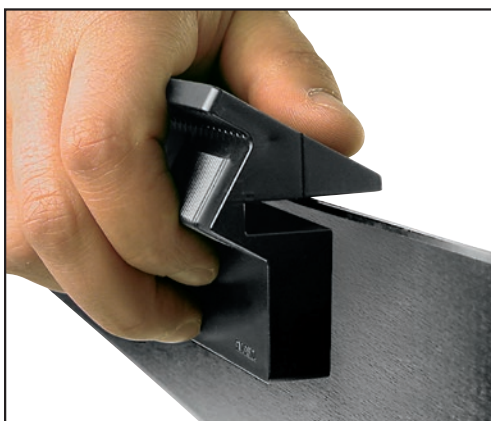
side edge **90°... 85°**

RACING TEAM

WORLD CUP



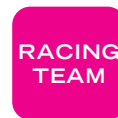
BALL BEARINGS SYSTEM





SIDE EDGE FILE GUIDE ALUMINIUM

3060	90°
3061	89°
3062	88°
3063	87°
3064	86°

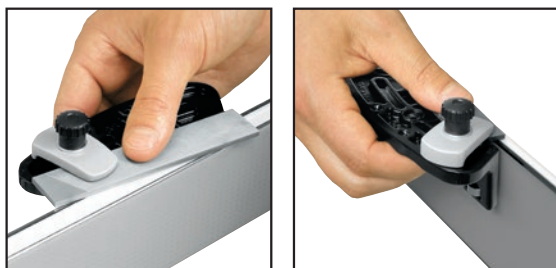
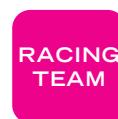


- Designed to eject metal filings
- Fits any files, stones or diamonds
- For ski and snowboard
- Use with **3090** PRO CLAMP or **3091** RACING CLAMP

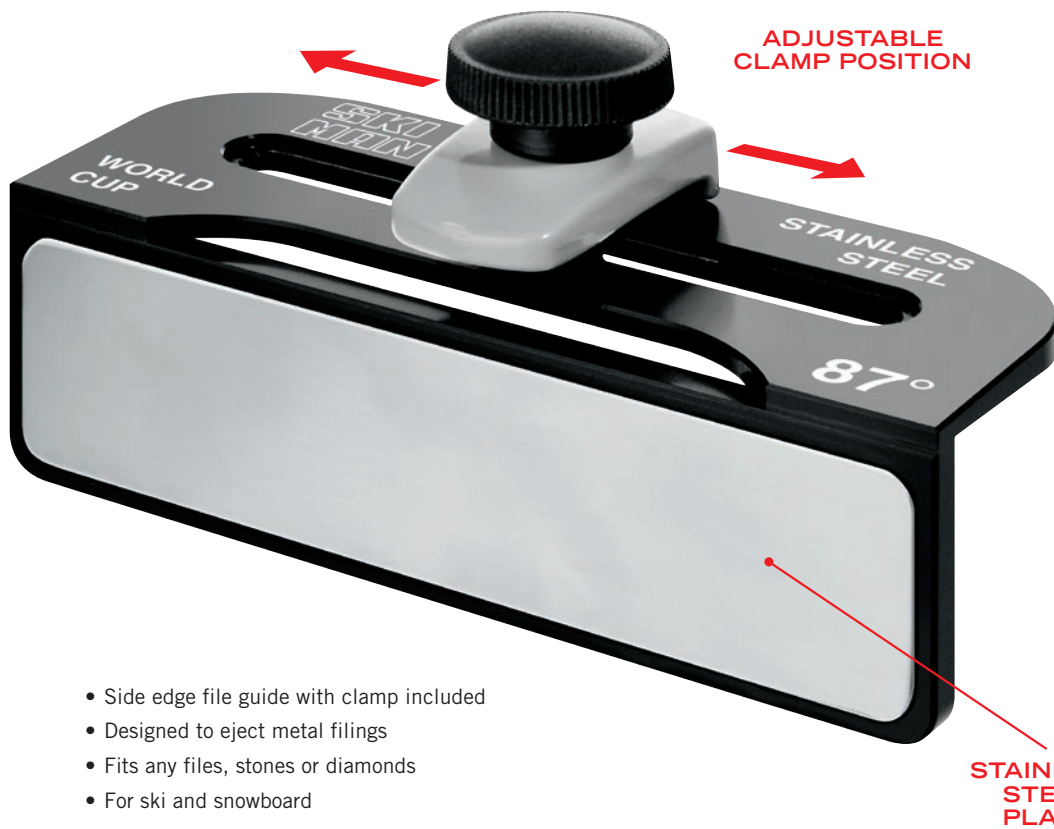


RACING GUIDE PLUS

3040	90°
3041	89°
3042	88°
3043	87°
3044	86°



- Side edge file guide with clamp included
- Designed to eject metal filings
- Fits any files, stones or diamonds
- For ski and snowboard



SIDE EDGE FILE GUIDE STAINLESS STEEL

3082N	88°
3083N	87°
3084N	86°
3085N	85°

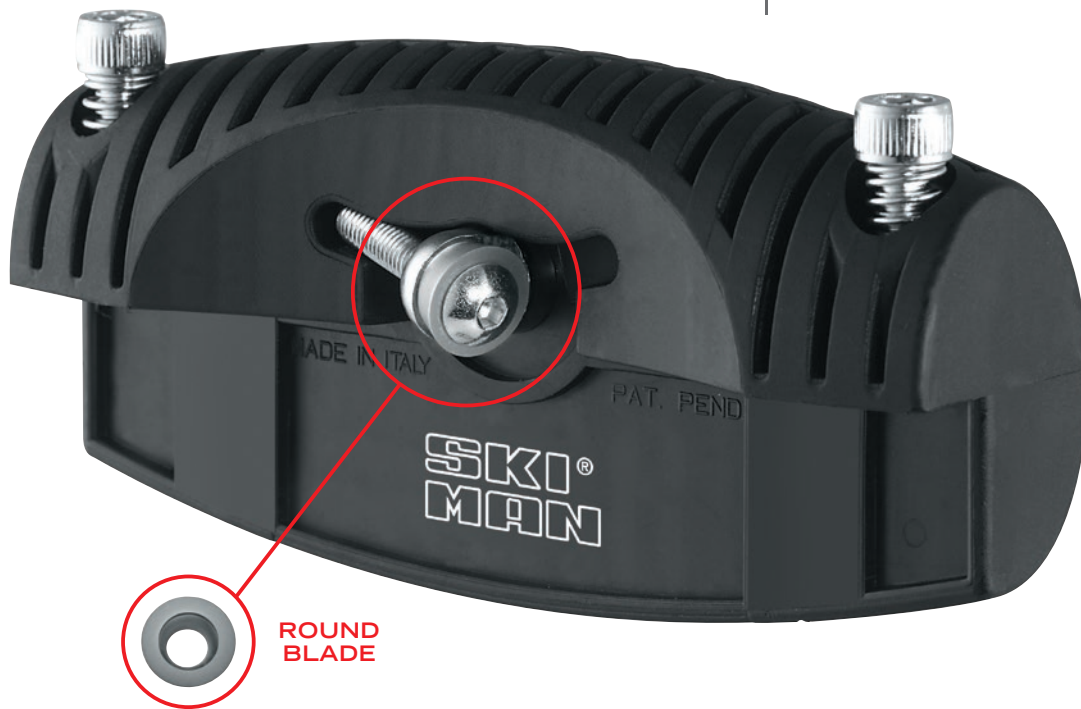
WORLD CUP



SIDE EDGE FILE GUIDE INOX

3188	88°
3187	87°
3186	86°
3185	85°

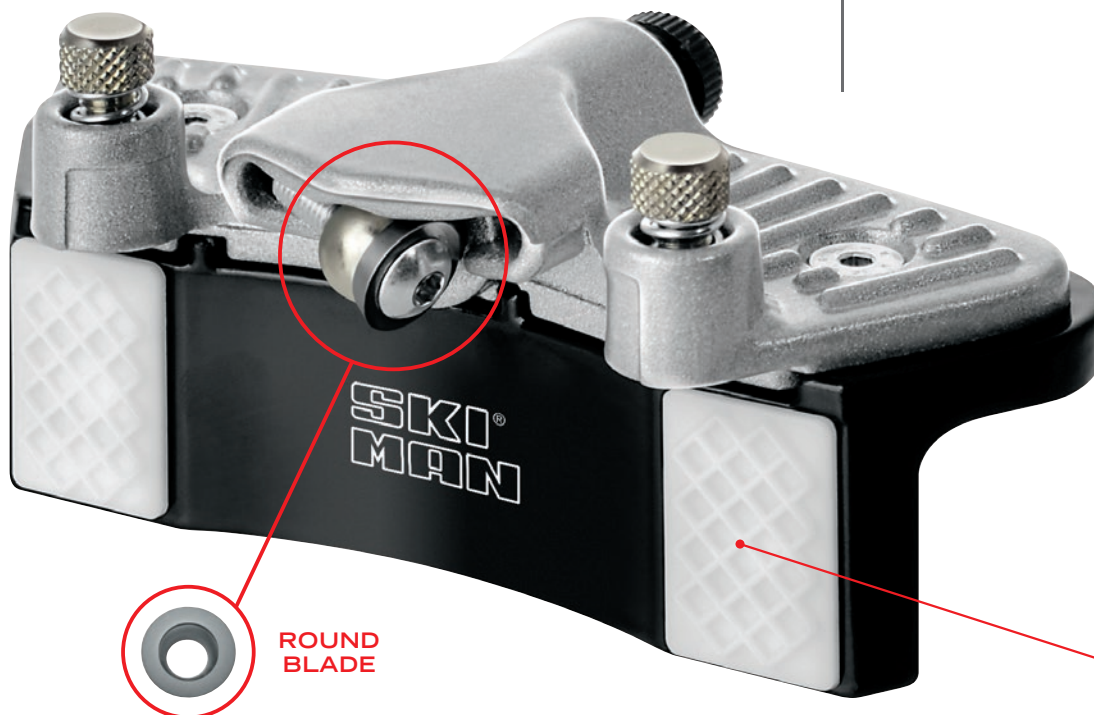
WORLD CUP



3004

SIDEWALL SHARP

- Ergonomic sidewall planer
- Easy handling, steady grip, maximum accuracy
- Best results, minimum effort
- Adjustable blade position and cutting depth
- Right and left hand use
- For ski and snowboard



5005N

SIDEWALL SHARP WORLD CUP

- Professional sidewall planer
- Easy handling, steady grip, maximum accuracy
- Best results, minimum effort
- Adjustable blade position and cutting depth
- Right and left hand use
- For ski and snowboard

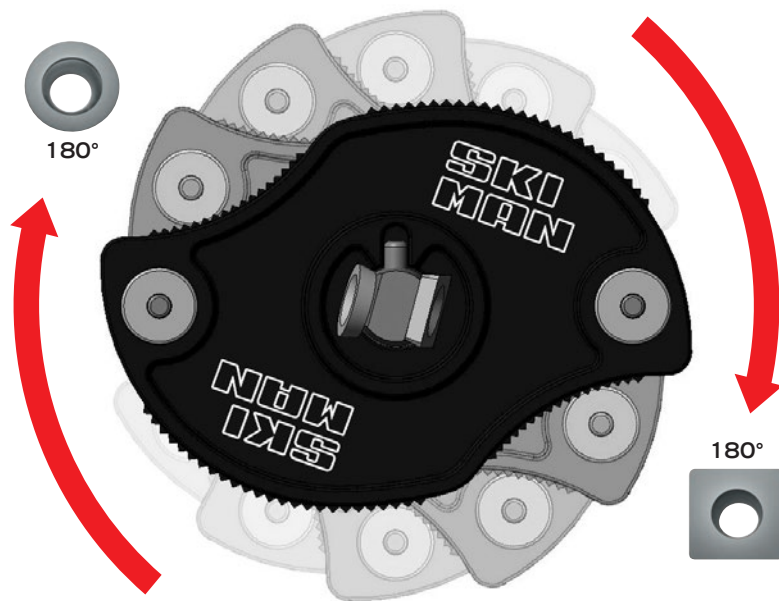


TEFLON PLATE

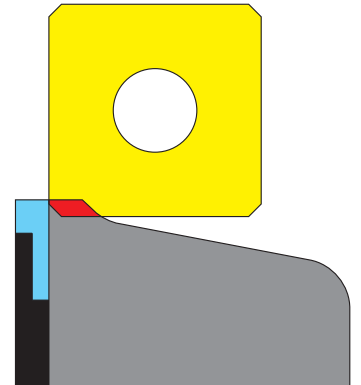
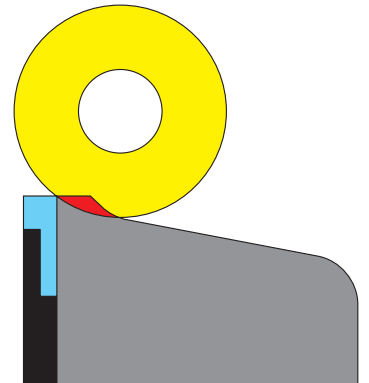


5005RT

SIDEWALL
SHARP
RACING
TEAM



- hard metal blade
- area to be cut down
- ski edge
- ski base
- ski or board body



spare parts

SPARE BLADE
STANDARD
5120

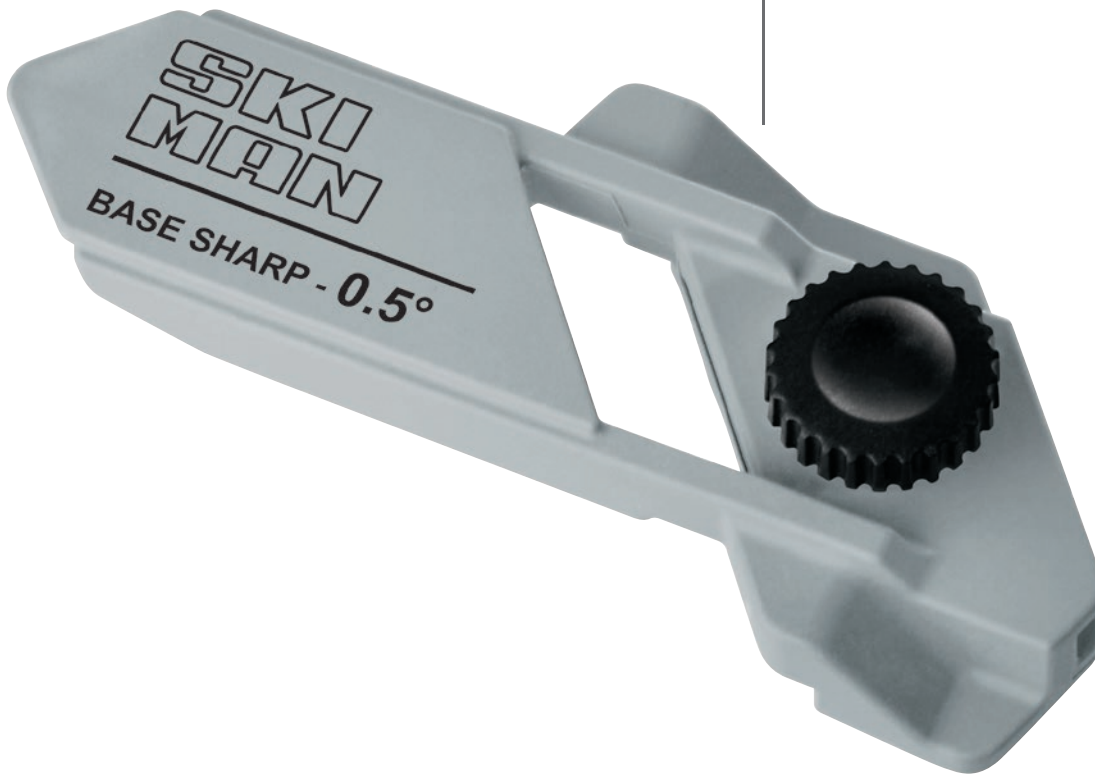


SPARE BLADE
RADIUS 3 mm
5125



SPARE BLADE
ROUND
5130

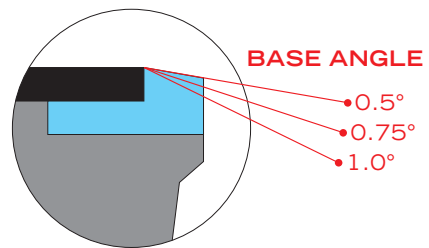




BASE SHARP

- 3051N** 0.5°
- 3052N** 0.75°
- 3053N** 1.0°

- Base edge sharpener
- Easy handling, steady grip, maximum accuracy
- Best results, minimum effort
- Fits any files, stones or diamonds up to 6 mm thick
- For ski and snowboard





3071

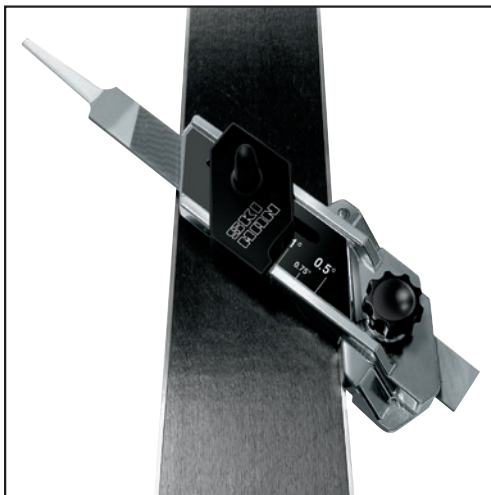
ADJUSTABLE BASE SHARP

- Professional base edge sharpener
- Easy handling, steady grip, maximum accuracy
- Best results, minimum effort
- Fits any files, stones or diamonds up to 6 mm thick
- For ski and snowboard

base edge
0.5°...
1.5°

RACING
TEAM

WORLD
CUP



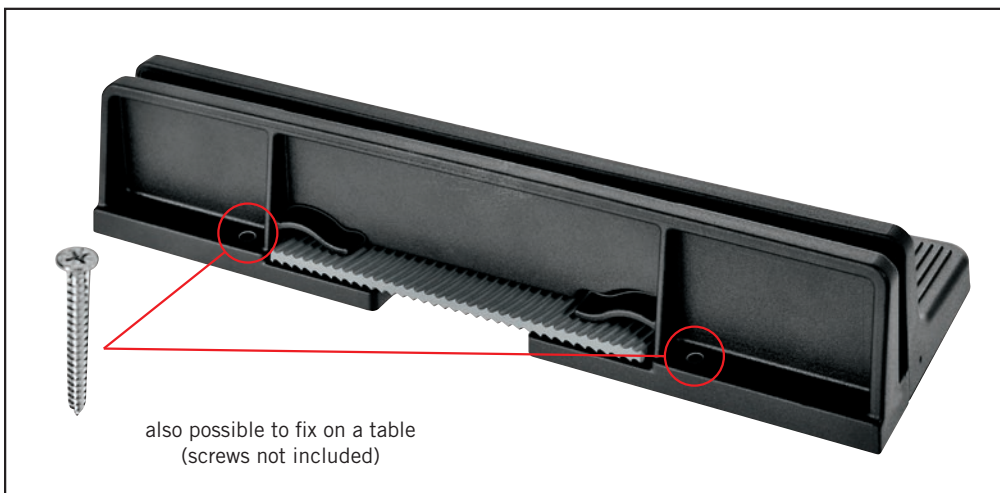
630N

PLEXI SHARP

- Wax scraper sharpener
- Used for 3, 4, 5 mm plexi wax scraper thick
- 100 mm body file included
- Spare 100 mm body file **5101**

SPORT
ACTIVE

RACING
TEAM





631-220
631-110

PLEXI SHARP WORLD CUP

- Electric wax scraper sharpener
- Used for 3, 4, 5 mm plexi wax scraper thick





WORLD CUP

DIAMOND FILE 100 mm

10100W	100
10200W	200
10400W	400
10600W	600
11000W	1000

- Aluminium support
- High quality and duration diamond
- Best if use with water or polishing solution
- Compatible with all sharpening tool
- Best if clean with spirit after use



RACING TEAM

DIAMOND FILE 100 mm

10100R	100
10200R	200
10400R	400
10600R	600
11000R	1000

- Plastic support
- High quality and duration diamond
- Best if use with water or polishing solution
- Compatible with all sharpening tool
- Best if clean with spirit after use



SPORT
ACTIVE

DIAMOND FILE 70 mm

70C COARSE
70M MEDIUM
70F FINE

- Plastic support
- Good quality and duration diamond
- Best if use with water or polishing solution
- Compatible with all sharpening tool
- Best if clean with spirit after use



SPORT
ACTIVE

DIAMOND FILE 100 mm

100C COARSE
100M MEDIUM
100F FINE

- Plastic support
- Good quality and duration diamond
- Best if use with water or polishing solution
- Compatible with all sharpening tool
- Best if clean with spirit after use

695

SKI SUPPORT

- High-tensile aluminium body
- Light and easy to transport
- For tuning all types and shapes of skis
- Special rubber to grip the ski during base work
- Included 2 brake retainers



680N

SKI VISE

- Jaw width 70 mm
- Jaws opening: up to 100 mm
- High-tensile aluminium body



994

SKI VISE "XXL"

- Jaw width 70 mm
- Jaws opening: up to 155 mm
- High-tensile aluminium body



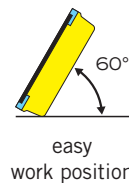
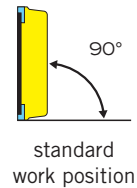
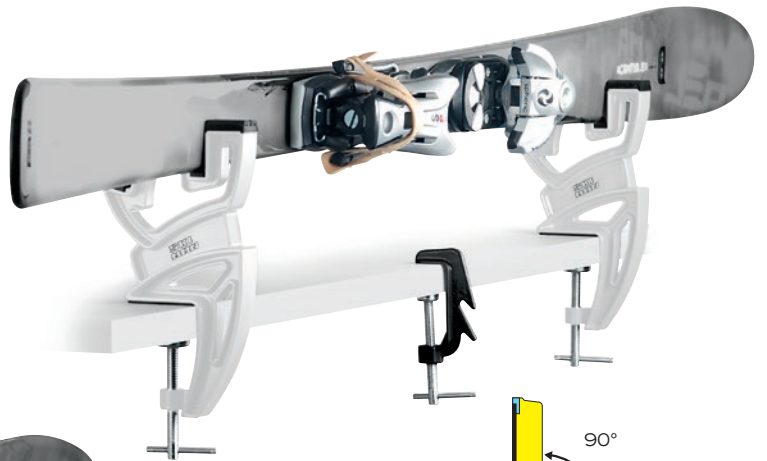
650

SKI VISE 24 HOURS

- High-tensile aluminium body
- Light and easy to transport
- For tuning all types and shapes of skis
- Special rubber to grip the ski during side and base work
- Included 2 brake retainers

SPORT ACTIVE

1 special ski bindings retainer included



Works for:
 Racing Carving skis
 Freeride Freestyle skis
 Back country Alpine touring skis

Works for:

- Racing Carving skis
- Freeride Freestyle skis
- Back country Alpine touring skis

ideal for travelling



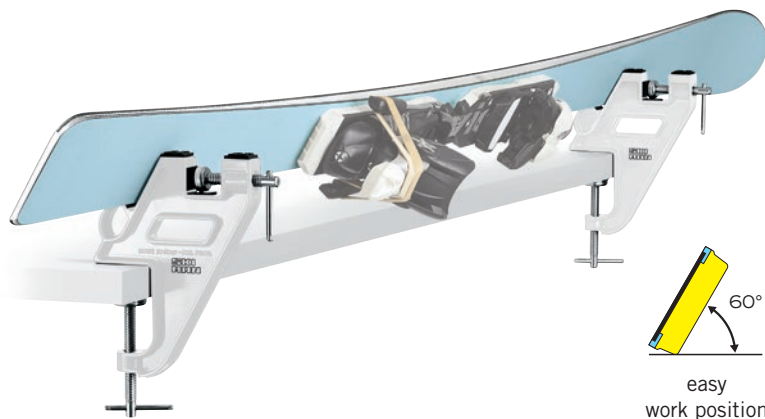
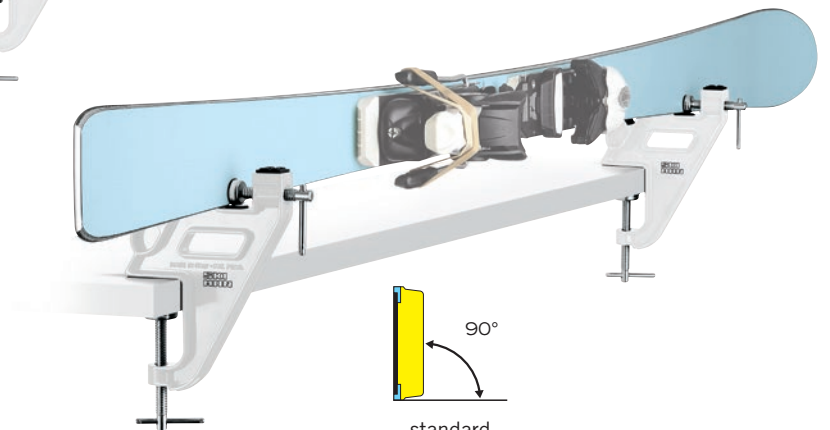
690

SKI VISE QUICK

- High-tensile aluminium body
- Light and easy to transport
- For tuning all types and shapes of skis
- Special rubber to grip the ski during base work
- Included 2 brake retainers

SPORT ACTIVE

based on friction



Works for:

- Racing Carving skis
- Freeride Freestyle skis
- Back country Alpine touring skis



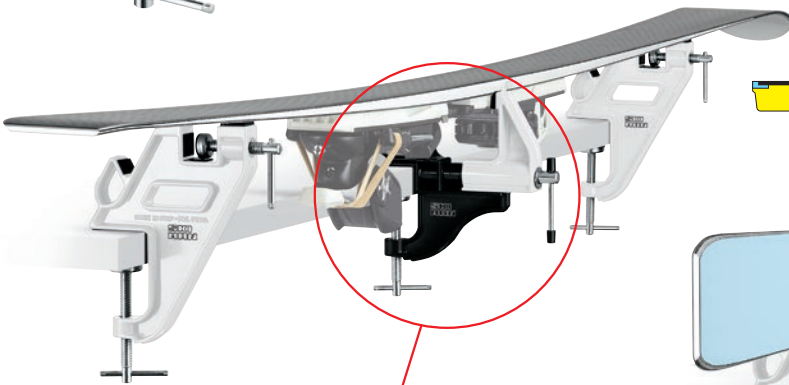
691

SKI VISE COMP

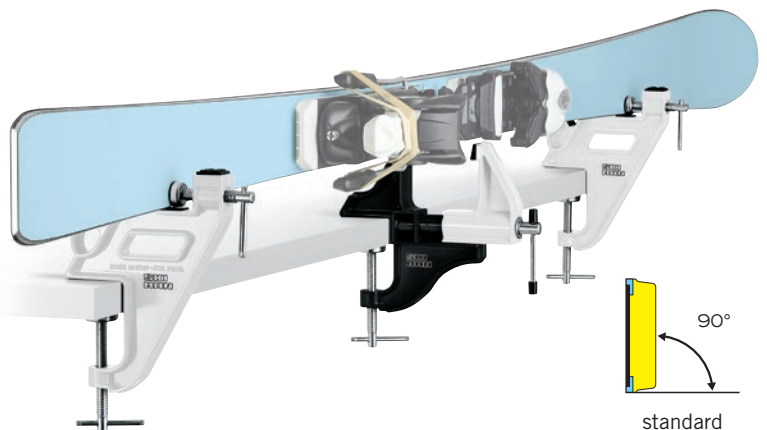
- Jaw width 30 mm
- Jaws opening: up to 90 mm
- High-tensile aluminium body
- Light and easy to transport
- For tuning all types and shapes of skis
- Included 2 brake retainers

SPORT ACTIVE

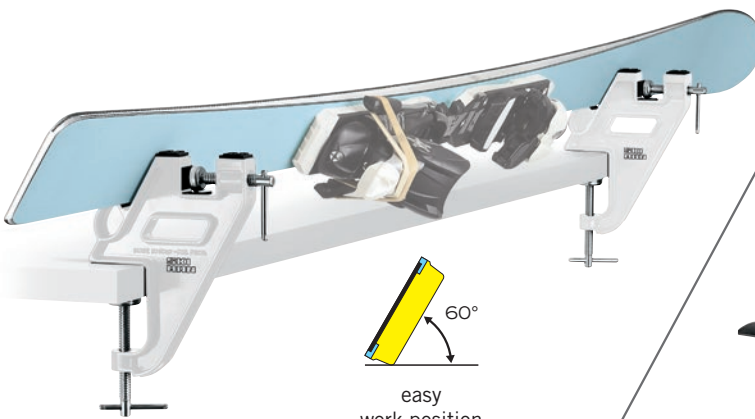
RACING TEAM



DESIGNED TO CLAMP ALSO IN THE PLATE OR BINDING



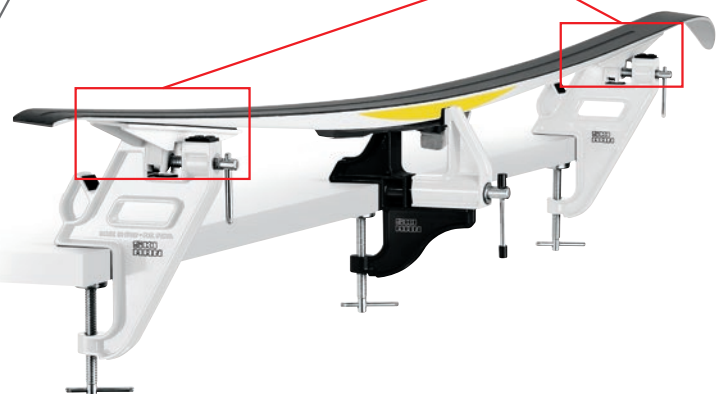
90°
standard work position



60°
easy work position



Also used with 635 (not included) for cross-country ski tuning



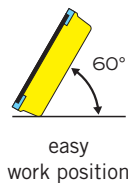
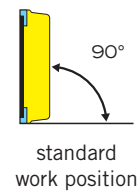
1070N

SKI VISE RACING

- Vice jaws width: 70 mm
- Jaws opening: up to 100 mm
- Rubber lined vice jaws
- Special rubber with small suction cups on the top grip of the supports
- Adjustable guide blocks
- For skis with all kinds of riser plates
- High tensile aluminum body
- Also use horizontally for mounting bindings
- Included 2 brake retainers



DESIGNED TO CLAMP ALSO IN THE PLATE OR BINDING





635

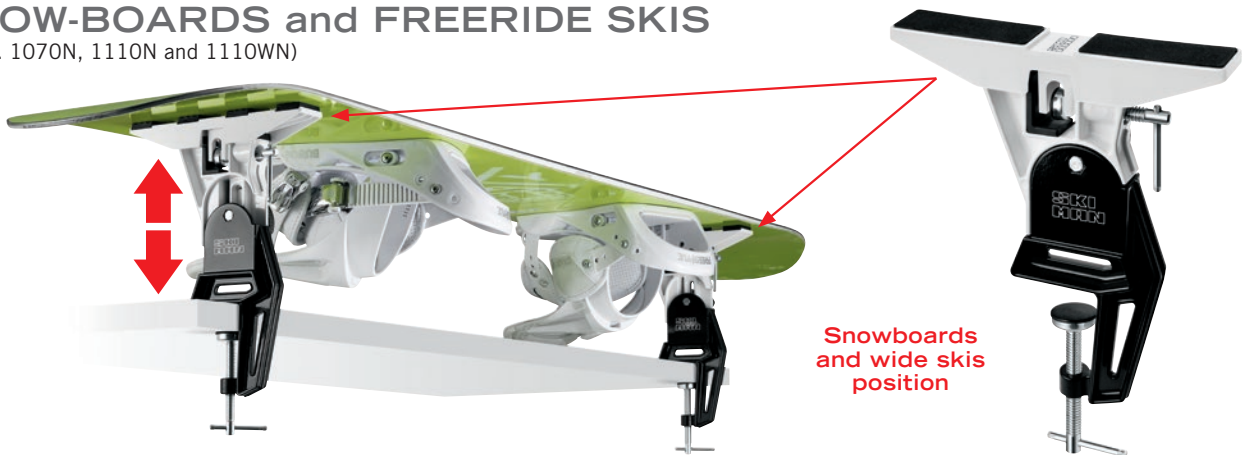
BRAVO SUPPORT

- Universal adapter for Art. 1070N, 1110N, 1110WN and 691, so they will be "all in one" vises
- Works with all types of snowboards, wide skis and cross-country skis
- Special rubber to grip the snowboard and wide skis during the base tuning



for SNOW-BOARDS and FREERIDE SKIS

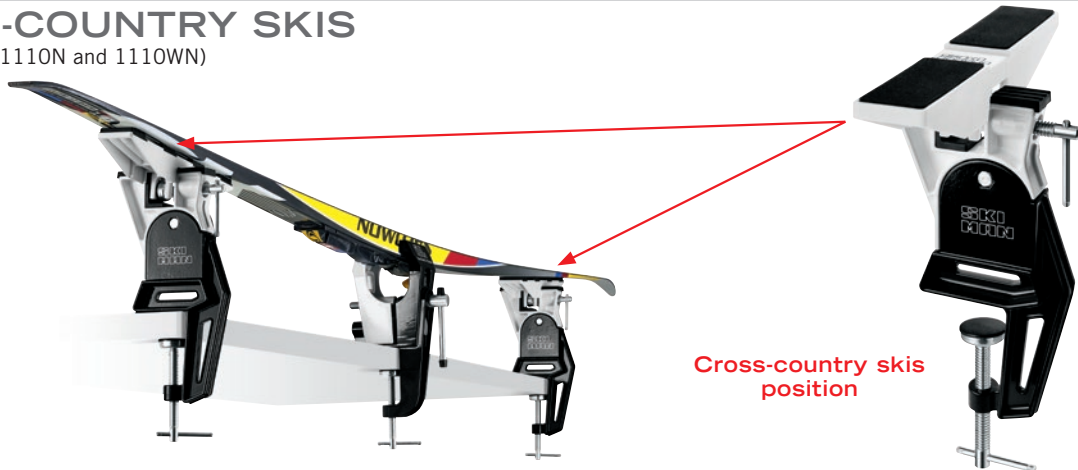
(Used with Art. 1070N, 1110N and 1110WN)



Snowboards and wide skis position

for CROSS-COUNTRY SKIS

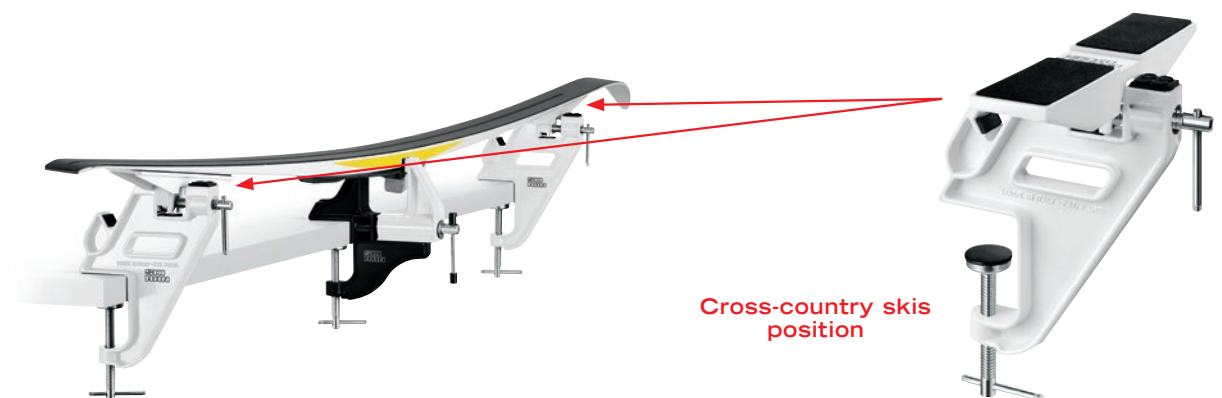
(Used with Art. 1070N, 1110N and 1110WN)



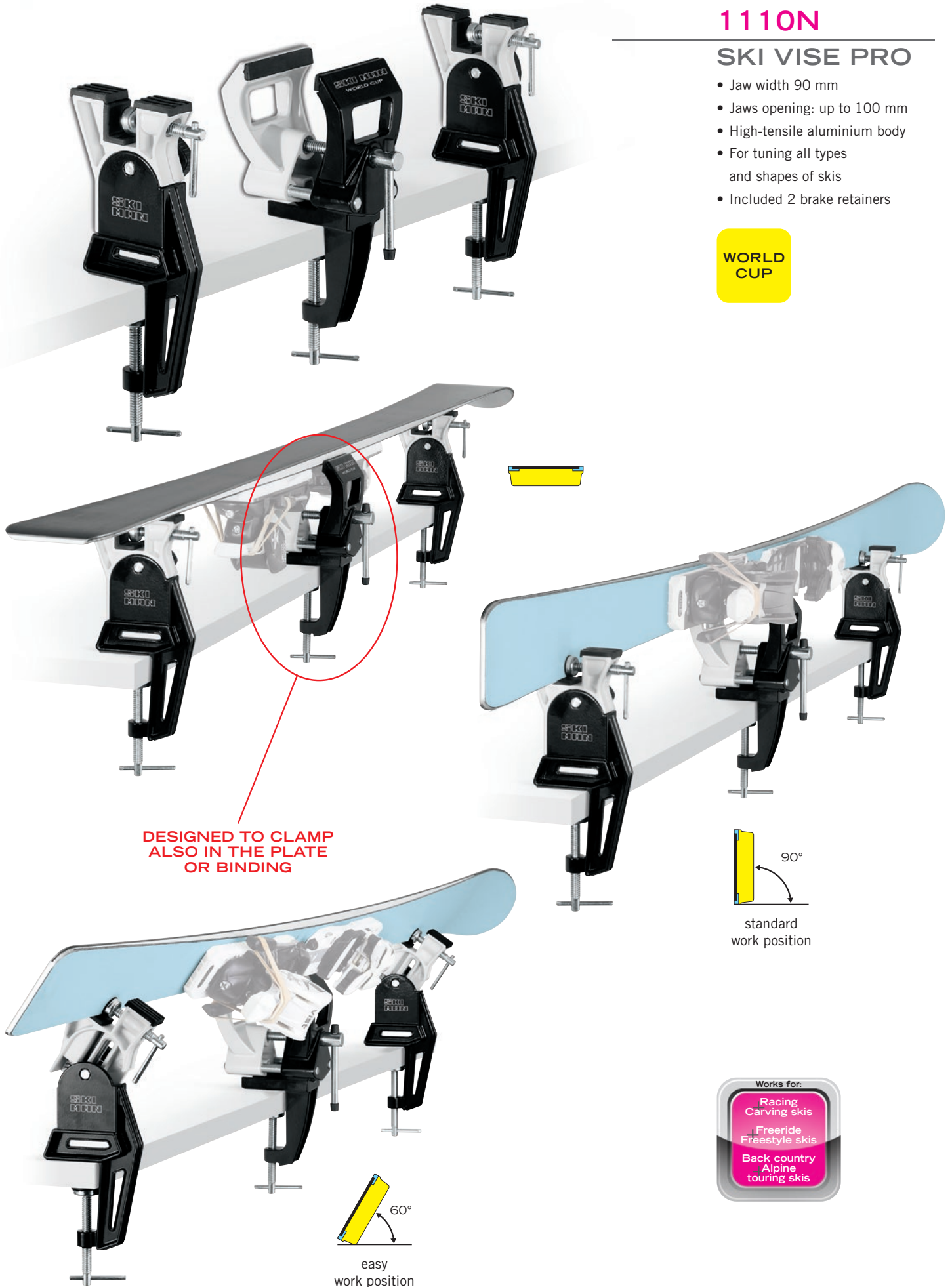
Cross-country skis position

for CROSS-COUNTRY SKIS

(Used with Art. 691)



Cross-country skis position



1110N SKI VISE PRO

- Jaw width 90 mm
- Jaws opening: up to 100 mm
- High-tensile aluminium body
- For tuning all types and shapes of skis
- Included 2 brake retainers

WORLD CUP

DESIGNED TO CLAMP ALSO IN THE PLATE OR BINDING

90°
standard work position

60°
easy work position

Works for:
Racing Carving skis
Freeride Freestyle skis
Back country Alpine touring skis

1110WN

SKI VISE PRO "WIDE OPENING"

- Jaw width 90 mm
- Jaws opening: up to 155 mm
- High-tensile aluminium body
- For tuning all types and shapes of skis
- Included 2 brake retainers

SPORT
ACTIVE

RACING
TEAM

WORLD
CUP

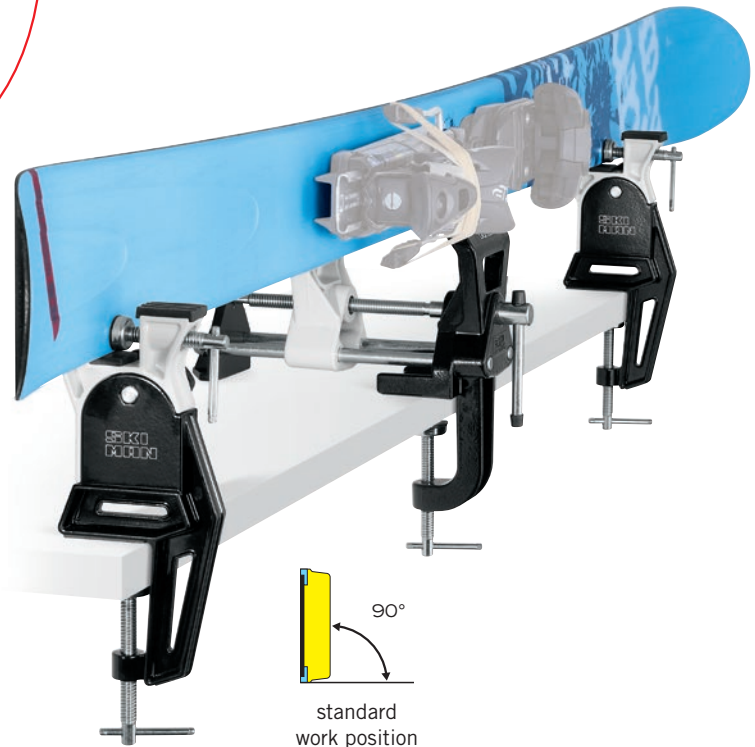


Works for:

- Racing Carving skis
- Freeride Freestyle skis
- Back country Alpine touring skis



DESIGNED TO CLAMP ALSO IN THE PLATE OR BINDING



1007

SKI VISE TOURING

- Light and easy to transport
- Special rubber to grip the ski during side and base work

SPORT
ACTIVE

RACING
TEAM



1007C

SKI VISE TOURING (center only)

- Works also with Art. 695 and with the side support of Art. 650, 1070N, 1110N, 1110WN.



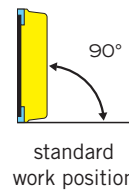
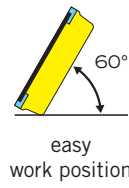


90°
standard
work position



60°
easy
work position



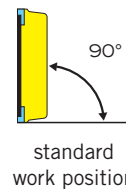
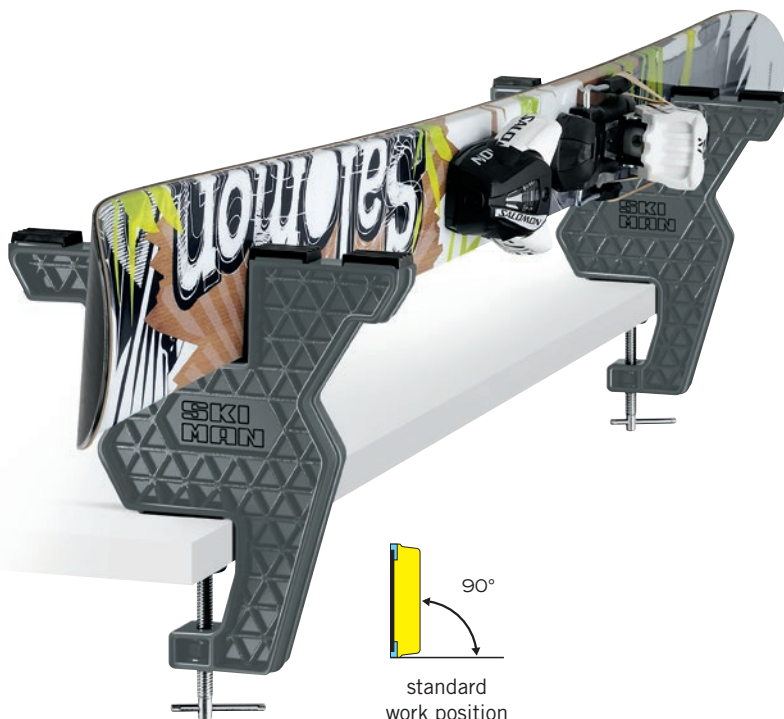
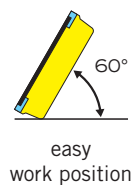
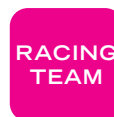




1003N

BOARD-FREERIDE VISE

- High-impact plastic body
- For tuning all types of snowboards and wide skis
- Special rubber to grip the snowboards and wide skis during side and base tuning
- Two side edge positions: standard 90° and easy 60°
- Binding clearance: 160 mm



ideal for travelling

670

SKI VISE CROSS-COUNTRY

- High-tensile aluminium body
- Light and practical for travelling
- For tuning all types and shapes of nordic skis

SPORT ACTIVE

RACING TEAM

WORLD CUP



ideal for travelling

670N

SKI VISE CROSS-COUNTRY WORLD CUP

- High-tensile aluminium body
- Light and practical for travelling
- For tuning all types and shapes of nordic skis

SPORT
ACTIVE

RACING
TEAM

WORLD
CUP





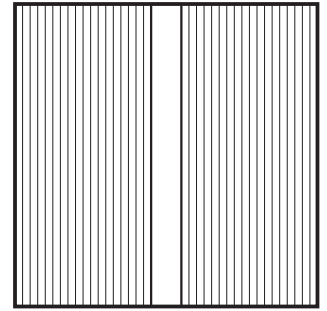
8001

NORDIC SHARP

- Ergonomic structuring tool with interchangeable structure rollers
- Easy handling, steady grip, maximum accuracy
- Best results, minimum effort
- According to the snow conditions, it will increase the glide of the skis
- Delivered with a medium diagonal roller



LINEAR ROLLERS



8002

C LINEAR COARSE 1,5 mm
for warm and wet conditions

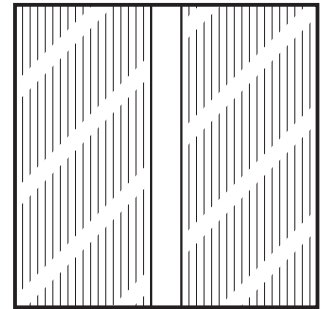
8003

M LINEAR MEDIUM 1,0 mm
for universal conditions

8004

F LINEAR FINE 0,5 mm
for cold conditions

DIAGONAL ROLLERS



8005

C LINEAR COARSE 1,5 mm
for warm and wet conditions

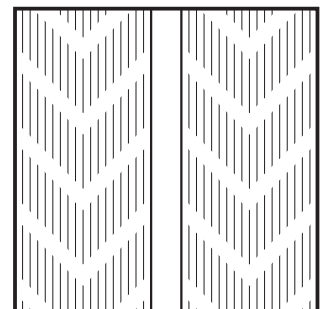
8006

M DIAGONAL MEDIUM 1,0 mm
for universal conditions

8007

F DIAGONAL FINE 0,5 mm
for cold conditions

W ROLLERS



8008

C W COARSE 1,5 mm
for warm and wet conditions

8009

M W MEDIUM 1,0 mm
for universal conditions

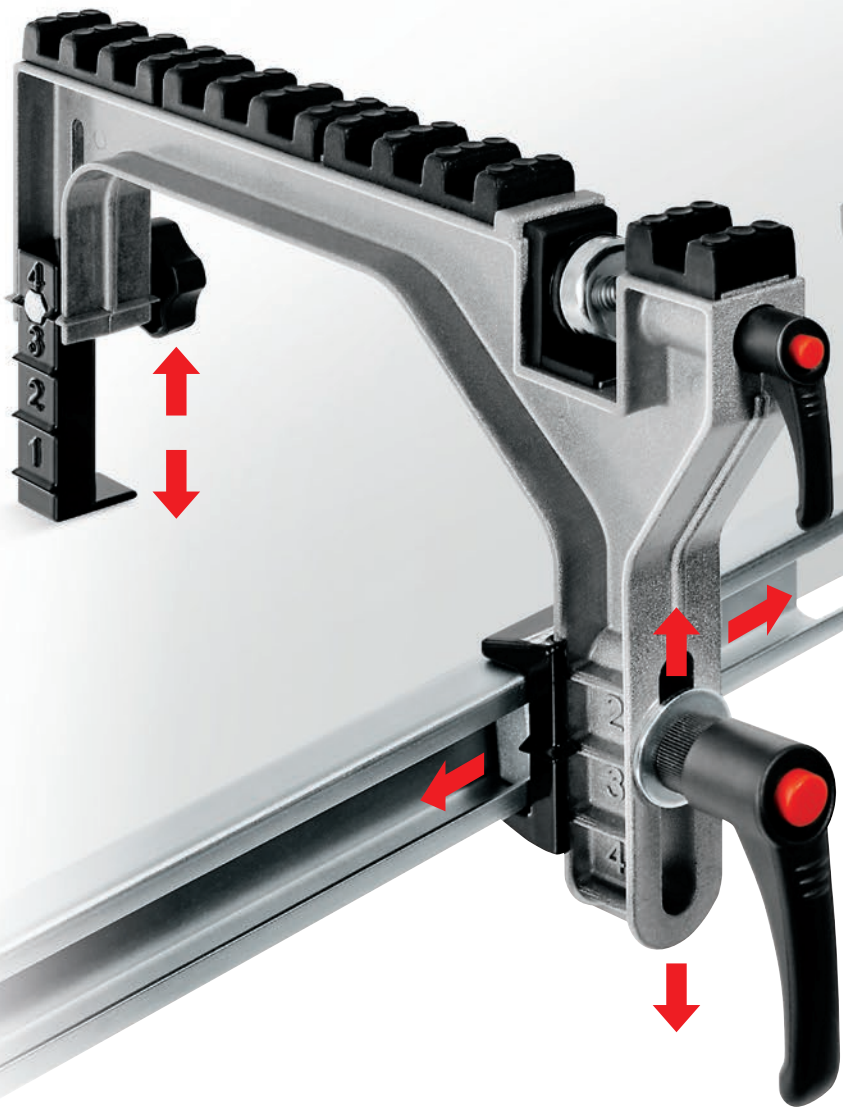
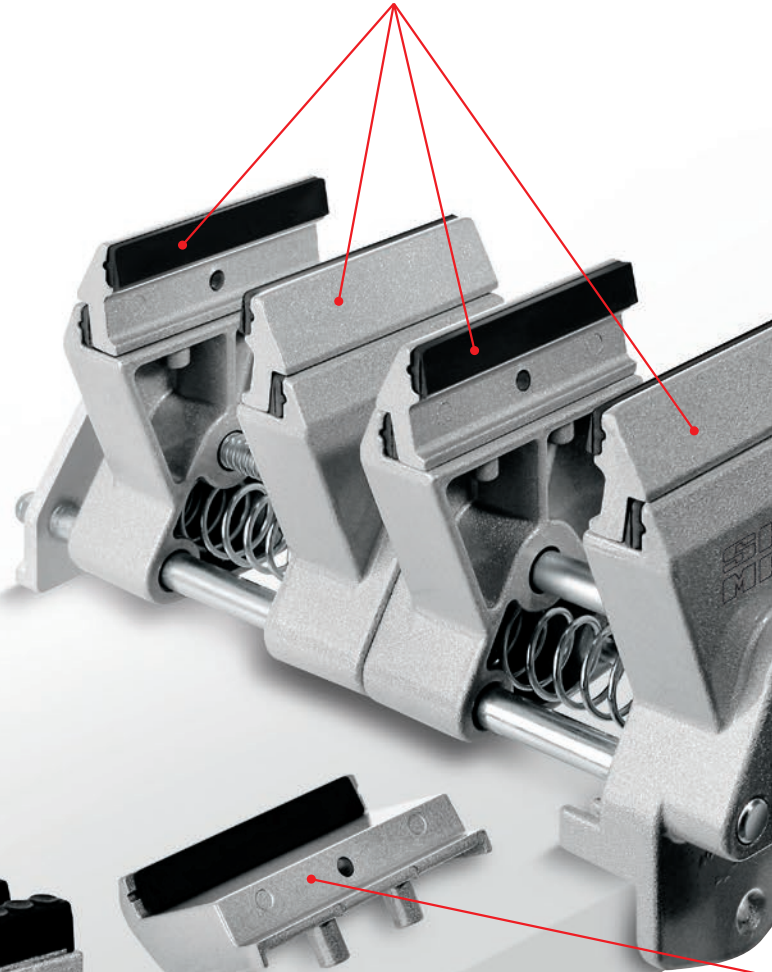
8010

F W FINE 0,5 mm
for cold conditions

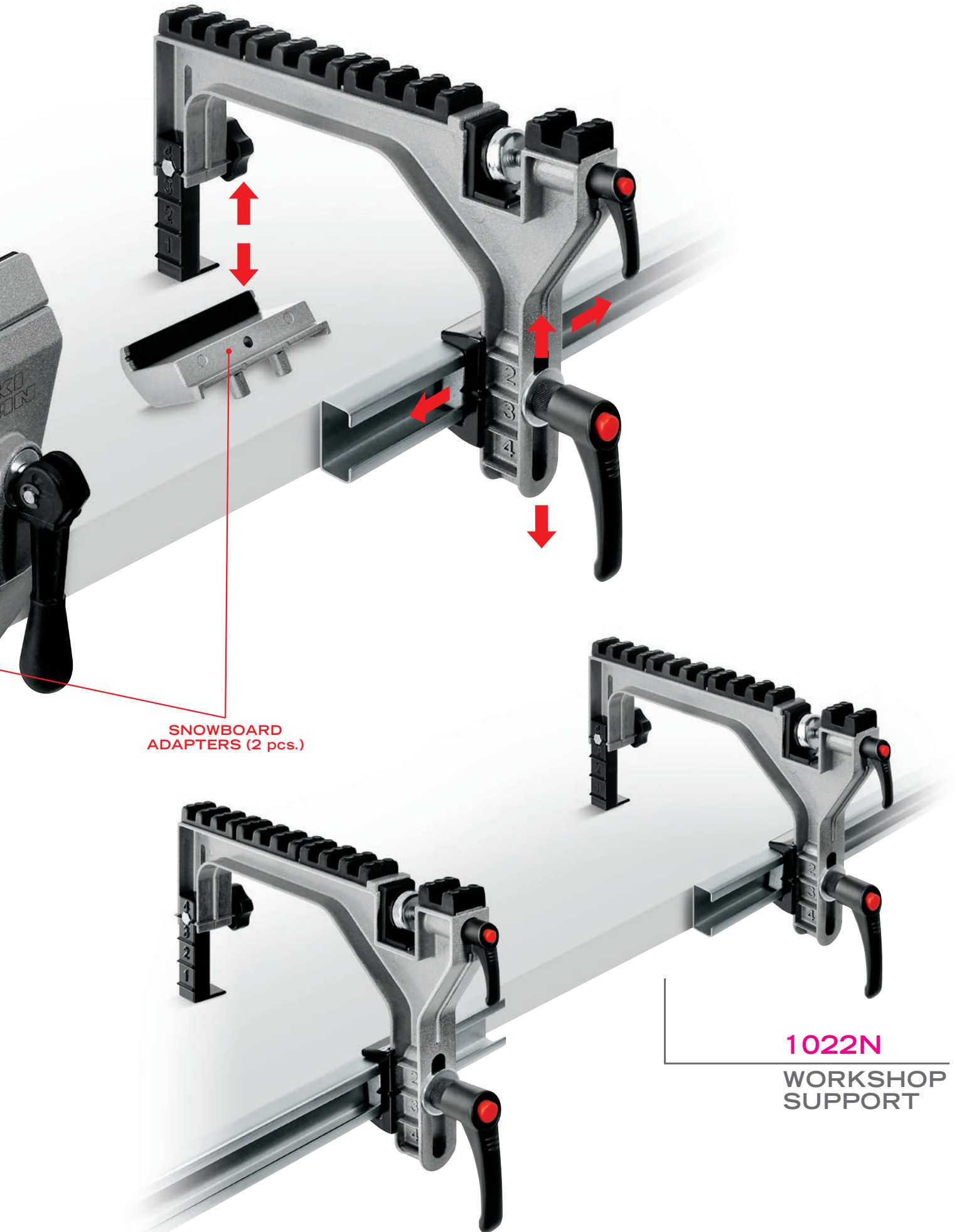
1021N

DOUBLE WORKSHOP VISE

ADAPTERS
FOR SKI BASE TUNING
(4 pcs.)



ADAPTER FOR WIDE SKIS
(1 pc.)

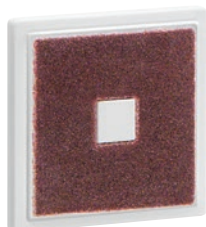


SNOWBOARD
ADAPTERS (2 pcs.)

1022N
WORKSHOP
SUPPORT

5140

SPARE ZIRCONIUM



5150

SPARE TRIZACT



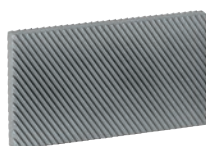
5160

SPARE DIAMOND



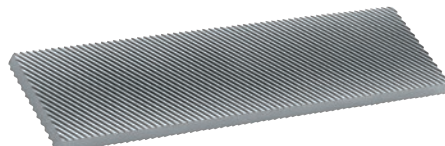
5105

SPARE FILE
40 mm



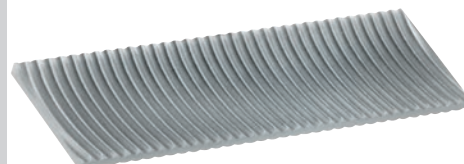
5104

SPARE FILE
80 mm



5101

SPARE PANZER FILE
100 mm



5120

SPARE BLADE
STANDARD



5125

SPARE BLADE
RADIUS 3 mm



5130

SPARE BLADE
ROUND



5190

DIAMOND MEDIUM



3091

RACING CLAMP



3090N

PRO CLAMP



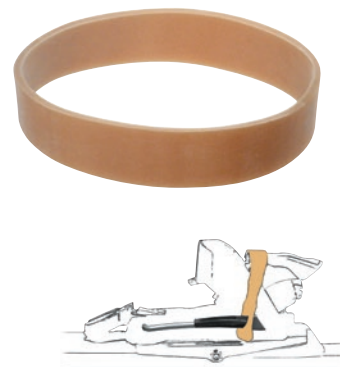
58200

SKI BRAKE RETAINER (200 pcs)



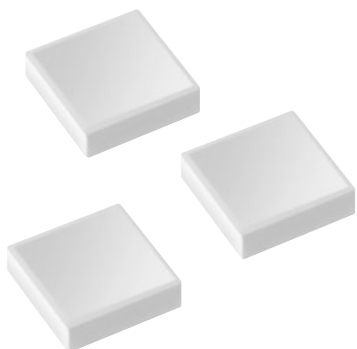
5808

SKI BRAKE RETAINER (8 pcs)



6002

SPARE CERAMIC (3 pcs)



NOTE

A series of horizontal lines for writing, overlaid with a large, faint, stylized graphic of a ski or snowboard. The graphic is composed of several overlapping, curved lines that form a shape reminiscent of a ski or snowboard, positioned diagonally across the page.

NOTE

The page contains a series of horizontal lines for writing, overlaid with a large, faint, stylized graphic of a ski or snowboard. The graphic is composed of several overlapping, curved lines that form a shape resembling a ski or snowboard, positioned diagonally across the page. The lines are light gray and the overall design is minimalist and technical.

Made in Italy by

B&C srl

Via dei Faggi, 23
28887 Omegna (VB) - Italy
e-mail: info@skiman.it
www.skiman.it